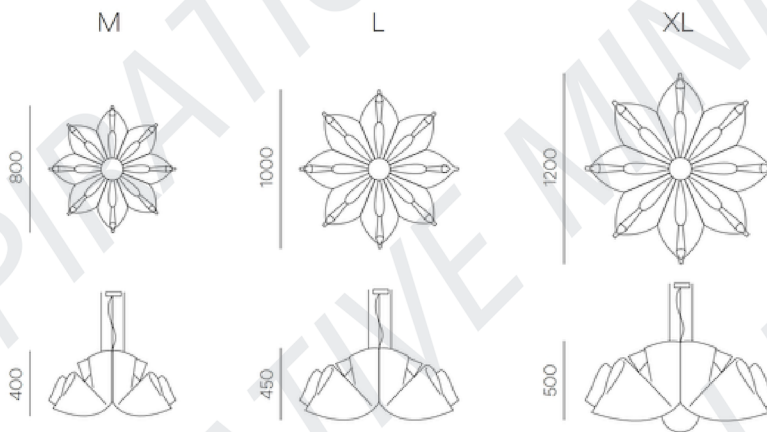


LIGHTING SPEC SHEET



PRODUCT DETAILS

Application	Suspended
Name - Brand	Rose - Flexxica
Country of origin	Poland
LED Power	8W↓ - 23W↓
Colour Temperature	3000K / 4000K
Luminous Flux (lm)	1050 lm↓ - 1508 lm↓
Beam Angle	40°↓ / 150°↓
CRI / UGR	>90 / <19
Housing Material	Aluminium
Luminaire Colour	White / Black
Fabric Colour	ARCHI Felt
Driver	ON-OFF / DALI