

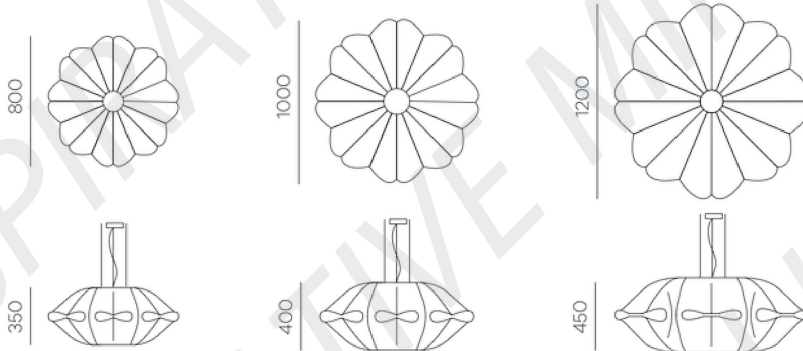
LIGHTING SPEC SHEET



M

L

XL



PRODUCT DETAILS

Application	Suspended
Name - Brand	Daisy - Flexxica
Country of origin	Poland
LED Power	15W↓ - 23W↓
Colour Temperature	3000K / 4000K
Luminous Flux (lm)	1077 lm↓ / 1508 lm↓
Beam Angle	40°↓
UGR	<19
Housing Material	Aluminium
Luminaire Colour	White / Black
Fabric Colour	ARCHI Felt
Driver	ON-OFF / DALI